

Stop Fittings



Fitting Series

- One-Touch Fittings
- Compact One-Touch Fittings
- Speed Controllers
- Hand Valves
- **Stop Fittings**
- Check Valves
- Two-Touch Fittings
- Two-Touch Fittings BSBM

METRIC-BSPT(R)

SPC
Page 140



SPL
Page 142



SPU
Page 144



METRIC-BSPP(G)

SPC-G
Page 140



SPL-G
Page 142



Stop Fitting

Applications

- Used in the place where pneumatic piping frequently changes.

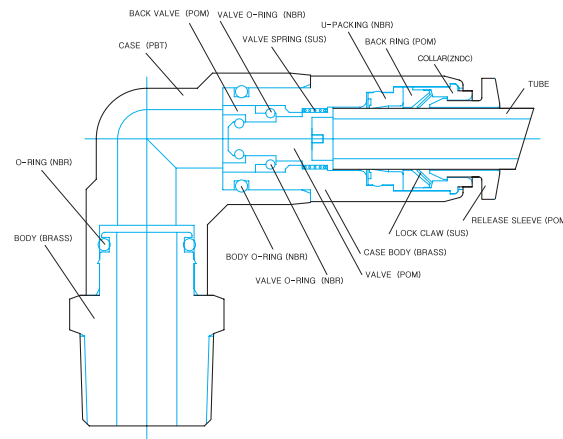
Features

- Air is completely blocked when the tube is released, and the air flows again only after connection to ensure safety. The air flows only when the tube is connected.

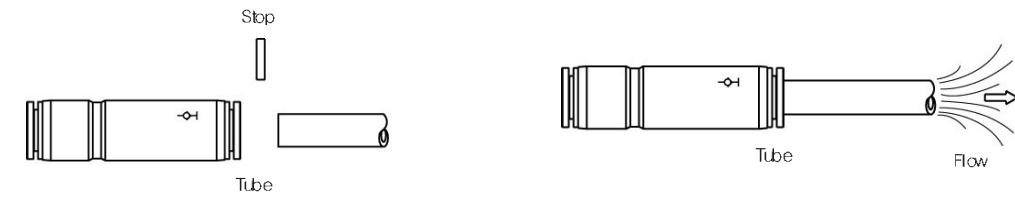
Specifications

- Fluid type : Air (No other gases or liquids)
- Working pressure : 0~150PSI / 0~9.9Kgf/cm² (0~990kPa)
- Negative pressure : -29.5 in Hg / -750mmHg (-750 Torr)
- Working temperature : 32~140° F / 0~60° C
- Applicable Tube : Polyurethane and Nylon

Structural Diagram



Control System



CAUTION

- Be sure to refer to the Caution on Safety, Classification of Warning Indication (P7), and Common Caution of Fitting Products (P8) before use.
- Assemble the fitting according to the proper connection torque value (P7).
- Proper torque refers to connection by hand and 2~3 rotations using a tool. Excessive pressure may damage the screw.
- Confirm the air flow control direction before connecting the tube. If the flow control direction operates backwards, air will not flow.

WARNING

- Do not force impact or rotation on the body or fitting section.
- Never open the tube under pressure. The springing power of the tube may cause bodily harm.

Product Code System

METRIC - BSPT(R)

SPC 06-01

STOP FITTING	Tube Dia	Thread Size	
CODE	φD	CODE	SIZE
04	φ4	M5	M5×0.8
06	φ6	M6	M6×1.0
08	φ8	01	R1/8
10	φ10	02	R1/4
12	φ12	03	R3/8
		04	R1/2

METRIC - BSPP(G)

SPC 06-G01

STOP FITTING	Tube Dia	Thread Size	
CODE	φD	CODE	SIZE
04	φ4	G01	G1/8
06	φ6	G02	G1/4
08	φ8	G03	G3/8
10	φ10	G04	G1/2
12	φ12		

INCH - NPT

SPC 1/4-N1

STOP FITTING	Tube Dia	Thread Size	
CODE	ØD	CODE	SIZE
5/32	5/32"	U	10-32UNF
3/16	3/16"	N1	NPT1/8
1/4	1/4"	N2	NPT1/4
5/16	5/16"	N3	NPT3/8
3/8	3/8"	N4	NPT1/2
1/2	1/2"		

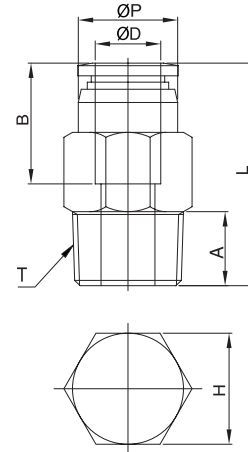
Stop Fittings

SPC



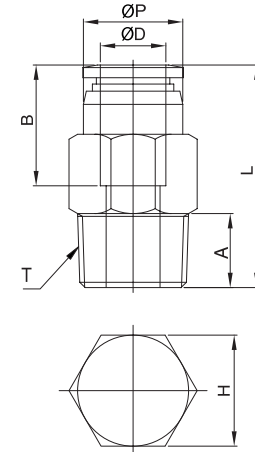
METRIC-BSPT(R)

MODEL	ØD	ØP	T	L	A	B	H(Hex)	WEIGHT(g)	BOX(EA.)
SFC 04-01	4	10.0	R1/8	26.1	8.0	15.3	10	10.8	100
SFC 06-01	6	12.0	R1/8	28.8	8.0	17.0	12	12.8	100
SFC 06-02	6	12.0	R1/4	28.8	10.0	17.0	14	20.8	50
SFC 08-02	8	14.0	R1/4	33.3	10.0	18.6	14	19.7	50
SFC 08-03	8	14.0	R3/8	33.3	11.0	17	17	38.7	50
SFC 10-02	10	17.0	R1/4	35.6	10.0	20.3	17	28.5	50
SFC 10-03	10	17.0	R3/8	35.6	11.0	20.3	17	33.5	50
SFC 10-04	10	17.0	R1/2	35.6	14.0	21	21	60.5	50
SFC 12-02	12	18.8	R1/4	41.9	10.0	22.7	19	44.3	50
SFC 12-03	12	18.8	R3/8	41.9	11.0	22.7	19	58.3	25
SFC 12-04	12	18.8	R1/2	41.9	14.0	21	21	66.3	25



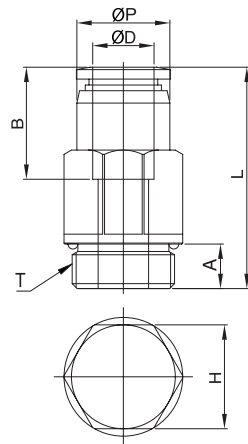
INCH-NPT

MODEL	ØD	ØP	T	L	A	B	H(Hex)	WEIGHT(g)	BOX(EA.)
SPC 5/32-N1	5/32	10.0	NPT1/8	26.1	8.5	15.3	7/16	11.8	100
SPC 3/16-N1	3/16	11.0	NPT1/8	27.2	8.5	16.4	7/16	13.8	100
SPC 3/16-N2	3/16	11.0	NPT1/4	27.2	10.5	16.4	9/16	21.8	100
SPC 1/4-N1	1/4	12.7	NPT1/8	29.7	8.5	17.4	1/2	14.8	100
SPC 1/4-N2	1/4	12.7	NPT1/4	29.7	10.5	17.4	9/16	22.8	50
SPC 5/16-N1	5/16	14.0	NPT1/8	33.3	8.5	18.6	9/16	18.7	50
SPC 5/16-N2	5/16	14.0	NPT1/4	33.3	10.5	18.6	9/16	17.7	50
SPC 5/16-N3	5/16	14.0	NPT3/8	33.3	11.5	18.6	11/16	37.7	50
SPC 3/8-N2	3/8	16.7	NPT1/4	36.4	10.5	20.3	11/16	29.4	50
SPC 3/8-N3	3/8	16.7	NPT3/8	37.6	11.5	20.3	11/16	36.4	50
SPC 3/8-N4	3/8	16.7	NPT1/2	38.4	14.5	21	7/8	59.4	50
SPC 1/2-N3	1/2	20.6	NPT3/8	45.0	11.5	23.0	7/8	62.1	25
SPC 1/2-N4	1/2	20.6	NPT1/2	45.0	14.5	23.0	7/8	70.1	25



METRIC-BSPP(G)

MODEL	ØD	ØP	T	L	A	B	H(Hex)	WEIGHT(g)	BOX(EA.)
SPC04-G01	4	10.3	G1/8	25.5	5.0	15.5	12	14.8	100
SPC06-G01	6	12.0	G1/8	27.7	5.0	17.0	12	13.8	100
SPC06-G02	6	12.0	G1/4	27.2	6.5	17.0	15	23.8	50
SPC08-G02	8	14.0	G1/4	31.9	6.5	18.6	15	22.7	50
SPC08-G03	8	14.0	G3/8	31.9	6.5	18.6	17	34.7	50
SPC10-G02	10	17.0	G1/4	34.9	6.5	20.3	17	30.5	50
SPC10-G03	10	17.0	G3/8	36.4	6.5	20.3	17	35.5	50
SPC10-G04	10	17.0	G1/2	37.4	8.0	21	21	57.5	50
SPC12-G02	12	18.8	G1/4	43.3	6.5	22.7	19	49.3	50
SPC12-G03	12	18.8	G3/8	43.3	6.5	22.7	21	62.3	25
SPC12-G04	12	18.8	G1/2	43.8	8.0	21	21	64.3	25



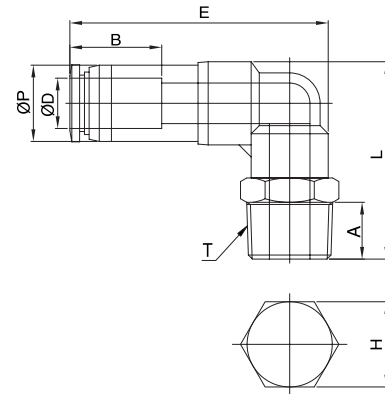
Stop Fittings

SPL



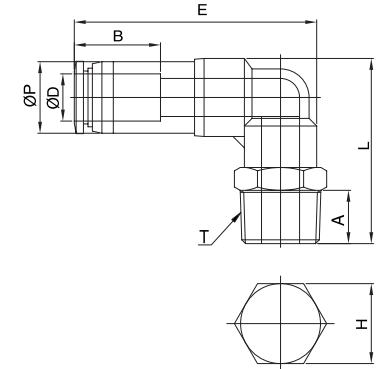
METRIC-BSPT(R)

MODEL	ØD	ØP	T	L	E	A	B	H(Hex)	WEIGHT(g)	BOX(EA.)
SFL04-M6			M5×0.8p	27.3		4.6		10	15.8	100
SFL04-M6	4	10.0	M6×1.0p	26.9	34.5	4.1	15.3	10	15.8	100
SFL04-01			R1/8	29.8		8.0		10	19.8	50
SFL06-M6			M5×0.8p	30.3		4.6		12	19.8	50
SFL06-01	6	12.0	R1/8	32.8	38.9	8.0	17.0	12	20.8	50
SFL06-02			R1/4	35.8		10.0		14	30.8	50
SFL08-01			R1/8	38.2		8.0		14	31.7	50
SFL08-02	8	14.0	R1/4	41.2	48.6	10.0	18.6	14	38.7	50
SFL10-02			R1/4	40.3		10.0		17	55.5	25
SFL10-03	10	17.0	R3/8	41.3	55.0	11.0	20.3	17	65.5	25
SFL10-04			R1/2	44.3		14.0		21	89.5	25
SFL12-03			R3/8	45.7		11.0		19	83.3	25
SFL12-04	12	18.8	R1/2	48.7	63.7	14.0	22.7	21	106.3	25



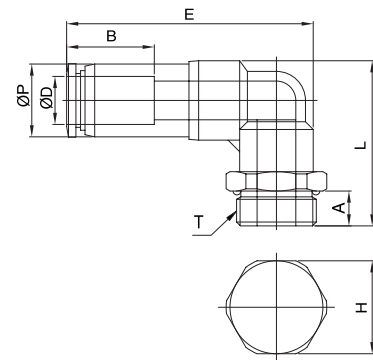
INCH-NPT

MODEL	ØD	ØP	T	L	E	A	B	H(Hex)	WEIGHT(g)	BOX(EA.)
SFL5/32-U			UNF10/32	26.7		3.5		7/16	15.8	100
SFL5/32-N1	5/32	10.0	NPT1/8	30.3	34.5	8.5	15.3	7/16	19.8	50
SFL3/16-U			UNF10/32	27.2		3.5		7/16	19.8	100
SFL3/16-N1	3/16	11.0	NPT1/8	30.8	35.4	8.5	16.4	7/16	20.8	50
SFL3/16-N2			NPT1/4	33.8		10.5		9/16	30.8	50
SFL1/4-U			UNF10/32	32.4		3.5		1/2	22.8	100
SFL1/4-N1	1/4	12.6	NPT1/8	34.3	39.2	8.5	17.4	1/2	24.8	50
SFL1/4-N2			NPT1/4	37.2		10.5		9/16	31.8	50
SFL5/16-N1			NPT1/8	36.7		8.5		9/16	29.7	50
SFL5/16-N2	5/16	14.0	NPT1/4	38.7	49.6	10.5	18.6	9/16	36.7	50
SFL5/16-N3			NPT3/8	39.7		11.5		11/16	47.7	50
SFL3/8-N2			NPT1/4	40.8		10.5		11/16	56.4	25
SFL3/8-N3	3/8	17.0	NPT3/8	41.8	56.8	11.5	20.3	11/16	66.4	25
SFL3/8-N4			NPT1/2	44.8		14.5		7/8	76.4	25
SFL1/2-N3			NPT3/8	47.0		11.5		3/4	82.1	25
SFL1/2-N4	1/2	20.0	NPT1/2	50.0	65.8	14.5	23.0	7/8	103.1	25



METRIC-BSPP(G)

MODEL	ØD	ØP	T	L	E	A	B	H(Hex)	WEIGHT(g)	BOX(EA.)
SPL04-G01	4	10.0	G1/8	26.8	34.5	5.0	15.3	14	18.8	100
SPL06-G01			G1/8	29.8	38.9	5.0		14	22.8	100
SPL06-G02	6	12.0	G1/4	31.8	38.9	6.5	17.0	17	29.8	50
SPL08-G02			G1/4	37.2	48.6	6.5		17	37.7	50
SPL08-G03	8	14.0	G3/8	36.7	48.6	6.5	18.6	20	41.7	50
SPL10-G02			G1/4	31.8	55.0	6.5		17	49.5	50
SPL10-G03	10	17.0	G3/8	35.8	55.0	6.5	20.3	20	56.5	50
SPL10-G04			G1/2	37.3	55.0	8.0		24	68.5	25
SPL12-G03			G3/8	40.2	63.7	6.5		20	71.3	25
SPL12-G04	12	18.8	G1/2	41.7	63.7	8.0	22.7	24	84.3	25



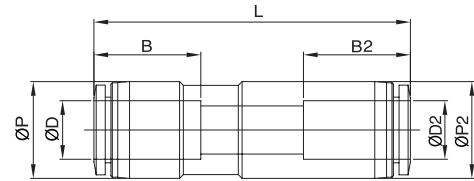
Stop Fittings

SPU



METRIC

MODEL	ØD	ØP	L	B	WEIGHT(g)	BOX(BA)
SPU 04	4	10.5	42.1	15.7	6.6	50
SPU 06	6	12.5	46.0	17.0	7.4	50
SPU 08	8	14.8	53.7	19.1	12.4	50
SPU 10	10	17.5	58.2	20.2	21.4	50
SPU 12	12	20.5	67.1	22.7	35.2	25



INCH

MODEL	ØD	ØP	L	B	WEIGHT(g)	BOX(BA)
SPU 5/32	5/32	10.5	42.1	15.7	6.6	50
SPU 3/16	3/16	11.5	43.5	16.4	7.4	50
SPU 1/4	1/4	13.0	46.9	17.4	8.4	50
SPU 5/16	5/16	14.8	53.7	19.1	12.4	50
SPU 3/8	3/8	17.5	58.4	20.3	21.4	50
SPU 1/2	1/2	21.0	67.7	23.0	36.0	25

