

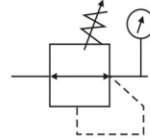


GAR系列減壓閥 /GAR Series Regulator

訂購碼 /Ordering Code

GAR		— 4000 —		04	—	G
系列/Series	規格 Specifications	接管口径 Port Size		附表/Schedule		
1.7Mpa減壓閥 1.7Mpa Pressure Reducing Valve	2000 2500 3000 4000 5000	G1/8" G1/2" G1/4" G3/4" G3/8" G1"				

氣壓符號 /Graphic Symbol



規格 /Specification

保证耐压力/Ensured Pressure Resistance	20Kg/cm ²
最高使用压力/Highest Working Pressure	17Kg/cm ²
*调节范围/*Pressure Regulating Range	0.5~17Kg/cm ²
环境及流体温度/Ambient and Fluid Temperature	5~60°C
阀型/Valve Type	活塞型/Piston Type

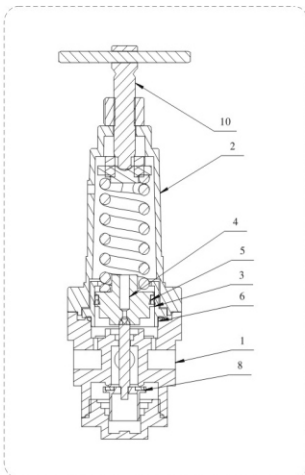
还有调压范围/Pressure Regulating Range:0.02~0.2MPa(0.2~2kgf/cm²)

型號 Model	規格 /Specincations				配件/Accessories
	*额定流量 Rated Flow(L/min)	**接管口径 Port Size(G)	压力表口径 Pressure Gauge Size(G)	重量 Weight(kg)	压力表 Pressure Gauge
GAR2000-01	550	1/8	1/8	0.3	G36-20-01
GAR2000-02		1/4			
GAR2500-02		1/4			
GAR2500-03	2000	3/8	1/8	0.4	G36-10-01
GAR3000-02		1/4			
GAR3000-03	2500	3/8	1/8	0.5	G46-20-02
GAR4000-03		3/8			
GAR4000-04		1/2			
GAR4000-06	6000	3/4	1/4	1.25	G46-20-02
GAR5000-06		3/4			
GAR5000-10	8000	1	1/4	1.8	

**接管口径另有Rc、NPT螺纹可供选择。

**Rc and NPT Port Size are Available.

結構圖 /Structral Diagram

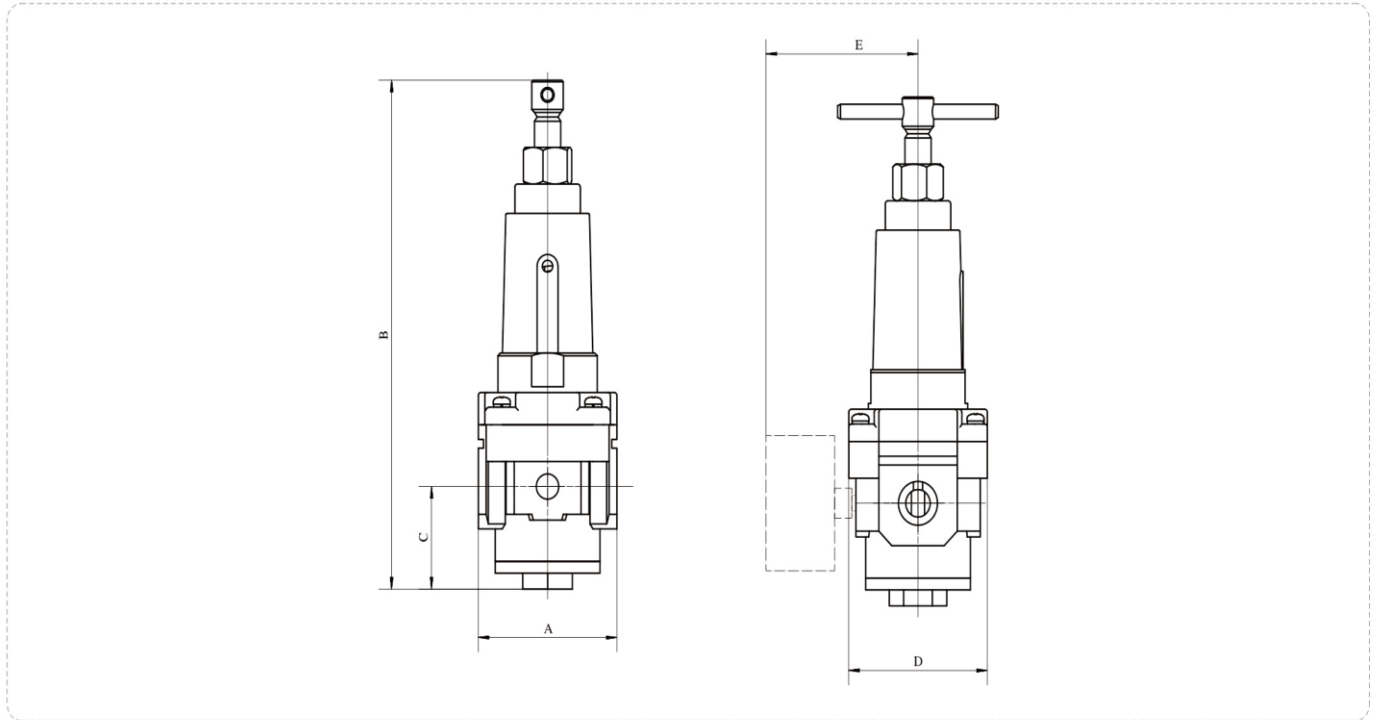


零件表 /List of Components

序号/NO.	名称/Denomination	材料/Material
1	阀体/Valve Body	铝压铸件/Aluminum Die Casting
2	阀盖/Valve Cover	铝压铸件/Aluminum Die Casting
3	活塞环/Piston Ring	铝/Aluminum
4	活塞/Piston	铝/Aluminum
5	Y形圈/Y-ring	橡胶/Rubber
6	调节螺杆/Adjustment Screw	不锈钢/Stainless Steel
7	O形圈/O-ring	橡胶/Rubber
8	O形圈/O-ring	橡胶/Rubber
9	阀芯/Valve Core	黄铜、橡胶/Brass, Rubber
10	弹簧/Spring	不锈钢/Stainless Steel
11	O形圈/O-ring	橡胶/Rubber
12	O形圈/O-ring	橡胶/Rubber



外型尺寸圖/Overall Dimension Drawing(mm)



尺寸表/Dimension Sheet

型号/Model	口径/Port Size G	A	B	C	D	E
GAR2000	1/8-1/4	40	118.5	18.5	40	50
GAR2500	1/4-3/8	53	125.5	25	48	54
GAR3000	1/4-3/8	53	175	35	53	54
GAR4000	3/8-1/2	70	198	37	70	58
GAR4000-06	3/4	75	202.5	39.5	70	61
GAR5000	3/4-1	90	218	49.5	90	68